



DLP-uCF4420
LEAD-FREE

PIC18F4420 TARGET BOARD

1.0 INTRODUCTION

The DLP-uCF4420 Target Board is designed to easily connect to the DLP-FLASH2 Device Programmer/Debugger and provide the design engineer with a low-cost hardware platform for developing and testing applications for the PIC18F4420 microcontroller.

(Refer to the schematic at the end of this datasheet for additional details.)

2.0 SPECIFICATIONS

- Program Memory: 8K x 14
- 2.0-5.5V Operation**
- RAM Size: 768 x 8
- 31 I/O (13x10b Analog)
- EEPROM Size: 256 x 8
- LED Indicator
- Size: 1.92 x 0.89 Inches

****Note:** If this target board is operated at a voltage other than 5.0 volts via a user-supplied power source, then the TPWR jumper must be removed on the DLP-FLASH2 Programmer.

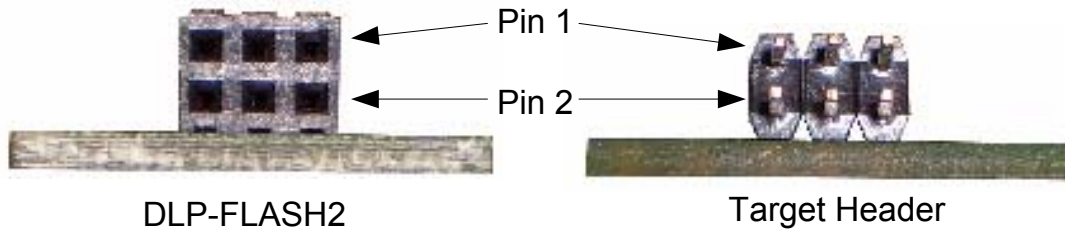
3.0 OSCILLATOR OPTIONS

The PIC18F4420 has an internal oscillator with eight user-selectable frequencies from 31 kHz to 8 MHz. The internal oscillator also provides a range of clock speeds from 31 kHz to 32 MHz when used with the PLL. Refer to the datasheet for the PIC18F4420 for additional details.

A user-supplied crystal and associated capacitors can also be added if a specific operating frequency is required.

4.0 PROGRAMMER/DEBUGGER INTERFACE

The DLP-FLASH2 Programmer/Debugger utilizes a 6-pin, 2mm female header for connection to the target device. The following shows the pinout for the programming interface connectors:



Pin #	Description	Alternate Name
1	PGM	B3
2	PGC	B6
3	PGD	B7
4	Ground	
5	Target Power	TVDD
6	MCLR	Vpp

5.0 DISCLAIMER

Neither the whole nor any part of the information contained herein or the product described in this datasheet may be adapted or reproduced in any material or electronic form without the prior written consent of the copyright holder.

This product and its documentation are supplied on an as-is basis, and no warranty as to their suitability for any particular purpose is either made or implied. DLP Design will not accept any claim for damages whatsoever arising as a result of use or failure of this product. Your statutory rights are not affected.

This product or any variant of it is not intended for use in any medical appliance, device or system in which the failure of the product might reasonably be expected to result in personal injury.

This document provides preliminary information that may be subject to change without notice.

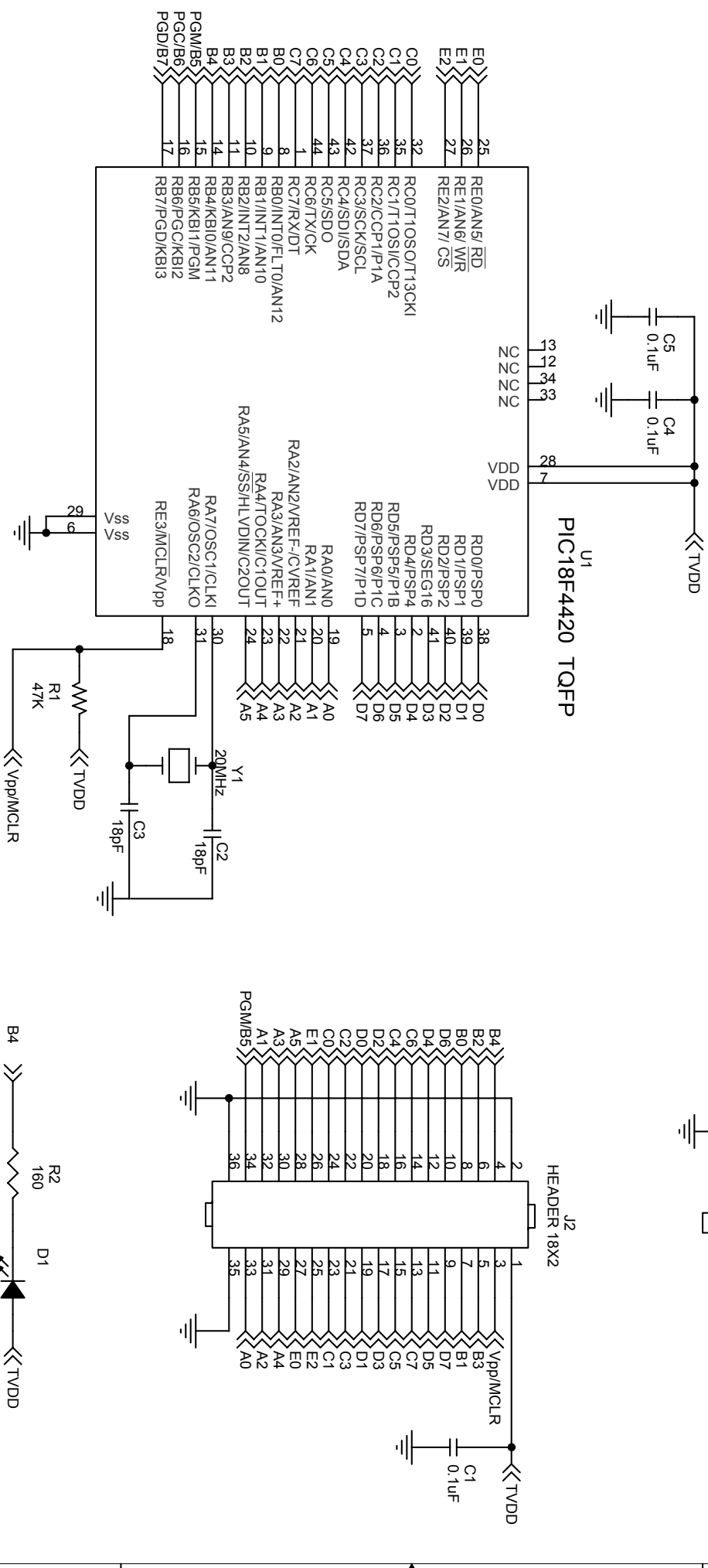
6.0 CONTACT INFORMATION

DLP Design, Inc.
1605 Roma Lane
Allen, TX 75013

Phone: 469-964-8027
Fax: 415-901-4859

Email: support@dlpdesign.com
Internet: <http://www.dlpdesign.com>

DLP-uCF4420 TARGET BOARD - 18F4420



5 4 3 2 1

A A